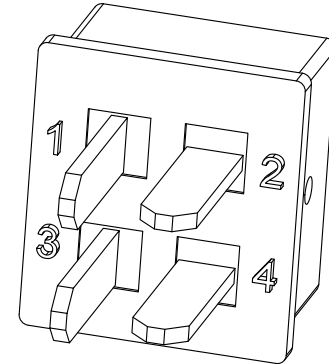
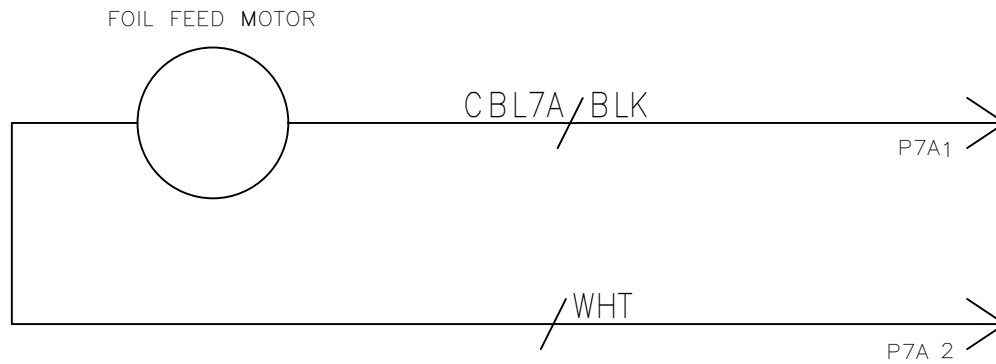


Foil Feed, Motor, 130VDC, RPM 42, PN 100031  
 Foil Feed, Motor, 130VDC, RPM 83, PN 102496  
 Foil Feed, Motor, 130VDC, RPM 139, PN 102943

Plug, 4pin, Male, Square  
 AFM Part# 100033



S:\AFMMachines\19000 Hot Stamp Control Box\19002\_Control\_Box\_Cables\19002-007-Control\_Box\_Cables\_A.dwg



1313 E. Borchard Ave  
 Santa Ana, CA 92705

TITLE AFM Engineering, Inc  
 FOIL FEED MOTOR CABLE  
 Control Cables

DRAWING NO. 19002-007-Control\_Box\_Cables\_A

SHEET 11 OF 24

DESIGNED BY C.S.I.

DRAWN BY

CHECKED BY C.S.I.

APPROVED BY C.S.I.