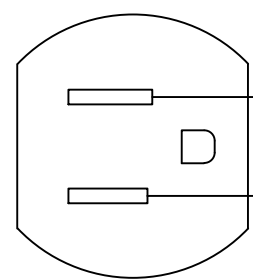
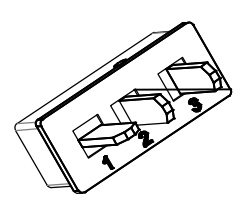
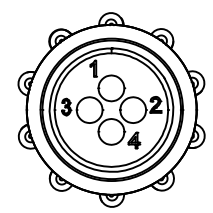
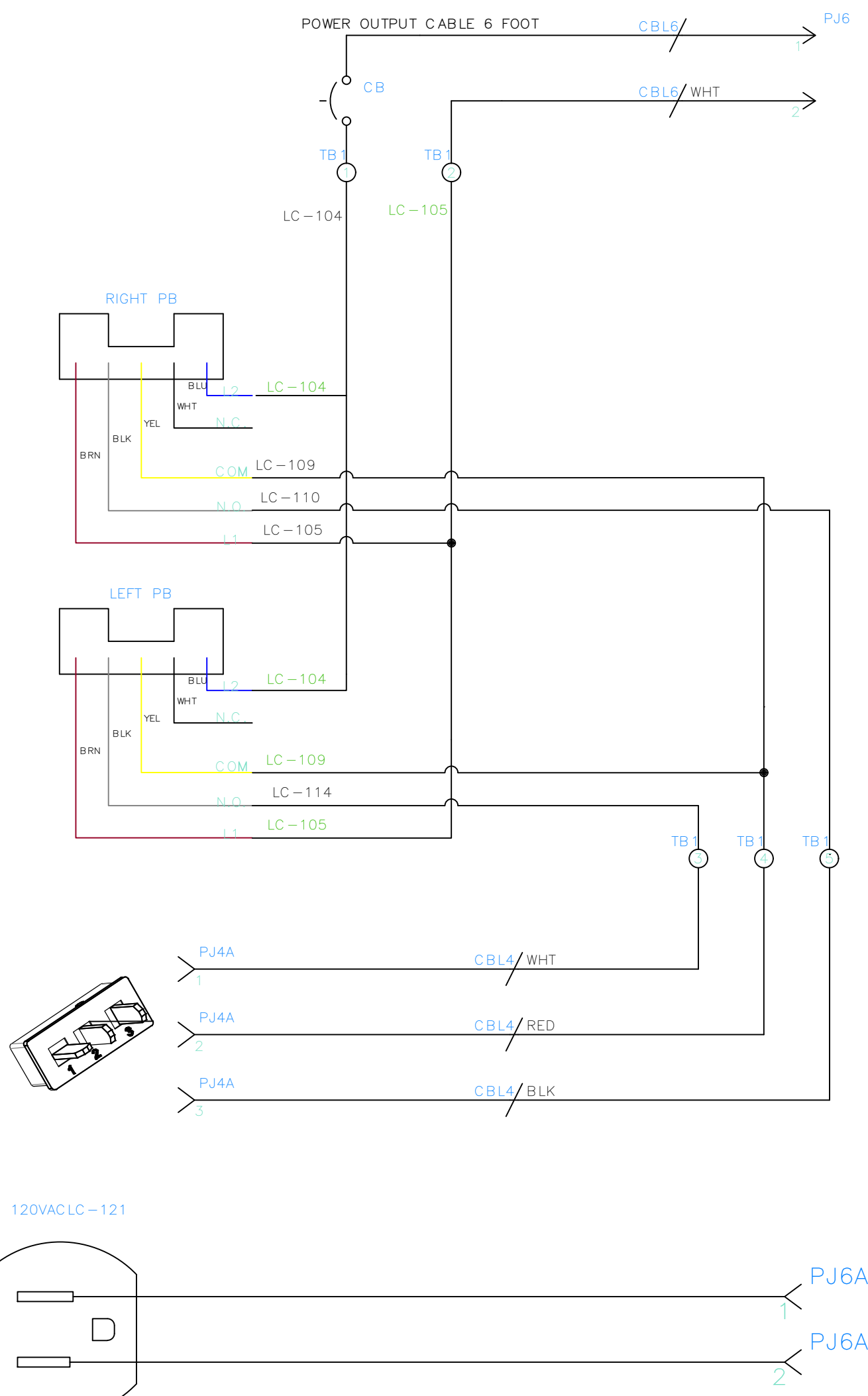
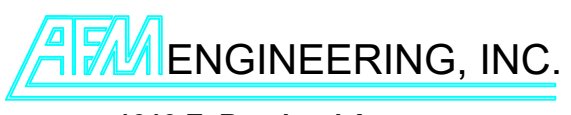


REV	DATE	CHANGE	TR NO.	REV BY.

LC-100  
LC-101  
LC-102  
LC-103  
LC-104  
LC-105  
LC-106  
LC-107  
LC-108  
LC-109  
LC-110  
LC-111  
LC-112  
LC-113  
LC-114  
LC-115  
LC-116  
LC-117  
LC-118  
LC-119  
LC-120  
LC-121  
LC-122  
LC-123  
LC-124



S:\AFMMachines\19050 Light Touch Buttons\19052-Hot Stamper\19052-Hot Stamper Light Touch Buttons.dwg



1313 E. Borchard Ave  
Santa Ana, CA 92705

TITLE AFM ENGINEERING, INC.  
LIGHT TOUCH BUTTONS  
DRAWING NO. 19052-Hot Stamper Light Touch Buttons SHEET 1 OF 3

DESIGNED BY CSI 12/10/2022  
DRAWN BY CSI 12/10/2022  
CHECKED BY CSI 12/10/2022  
APPROVED BY CSI 12/10/2022

A

B

C

D