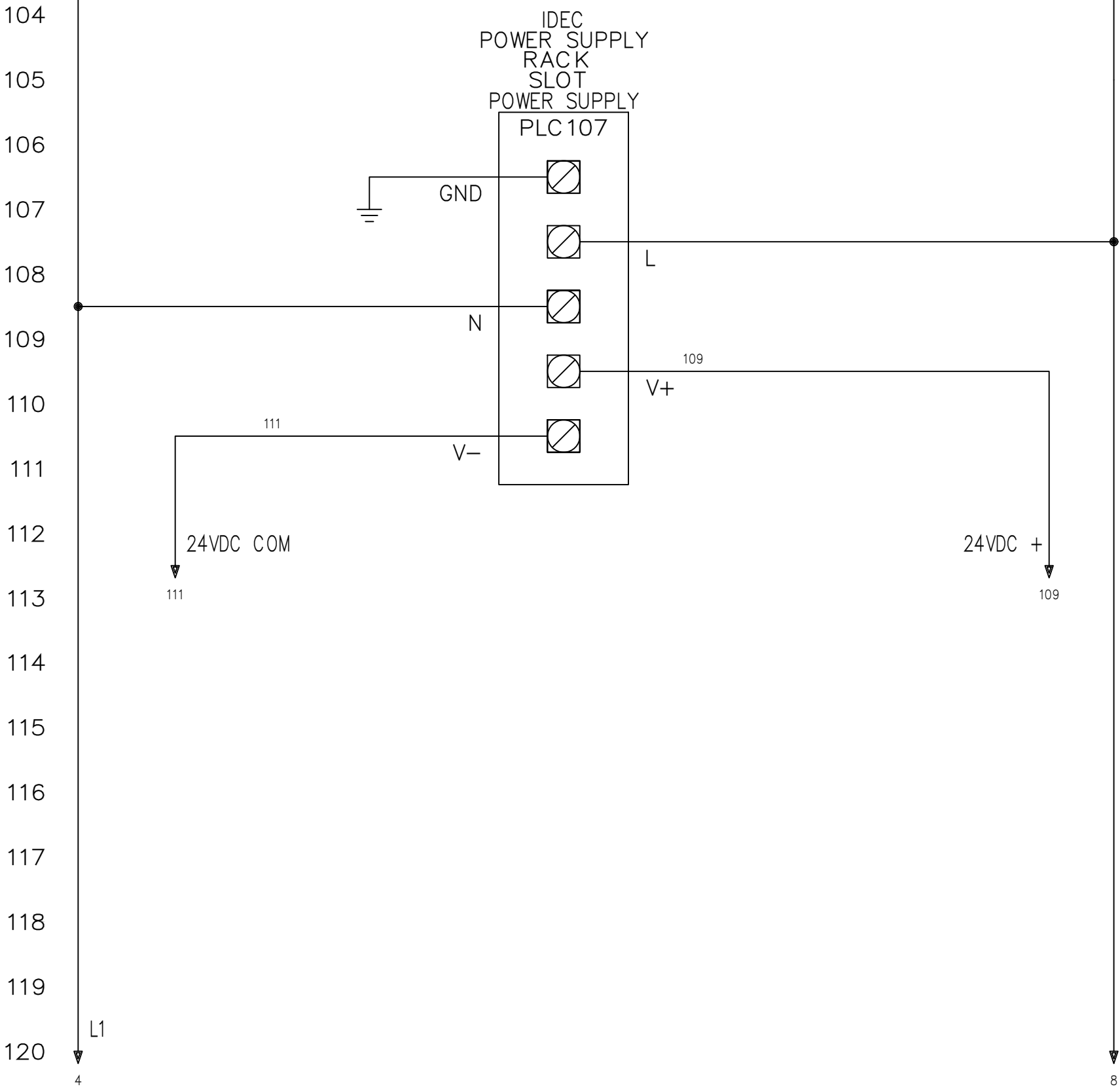
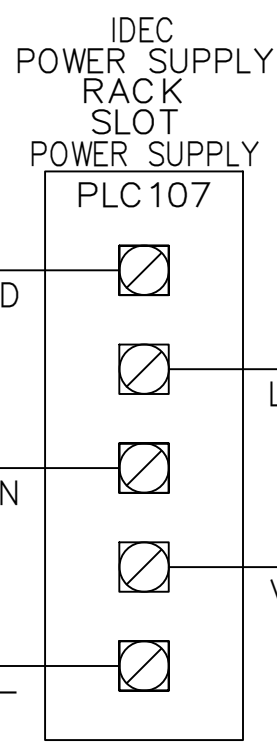
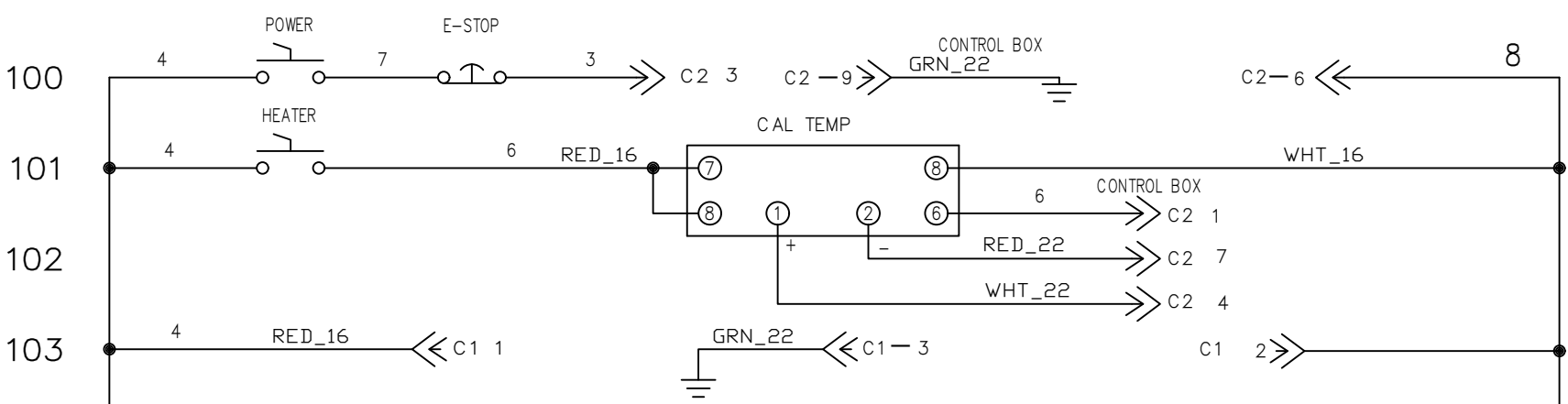


REV	DATE	CHANGE	TR NO.	REV BY.



S:\AFMMachines\19000 Hot Stamp Control Box\Thompson Hotstamp\Thompson\_to Idec\_Conversion\100-1.dwg



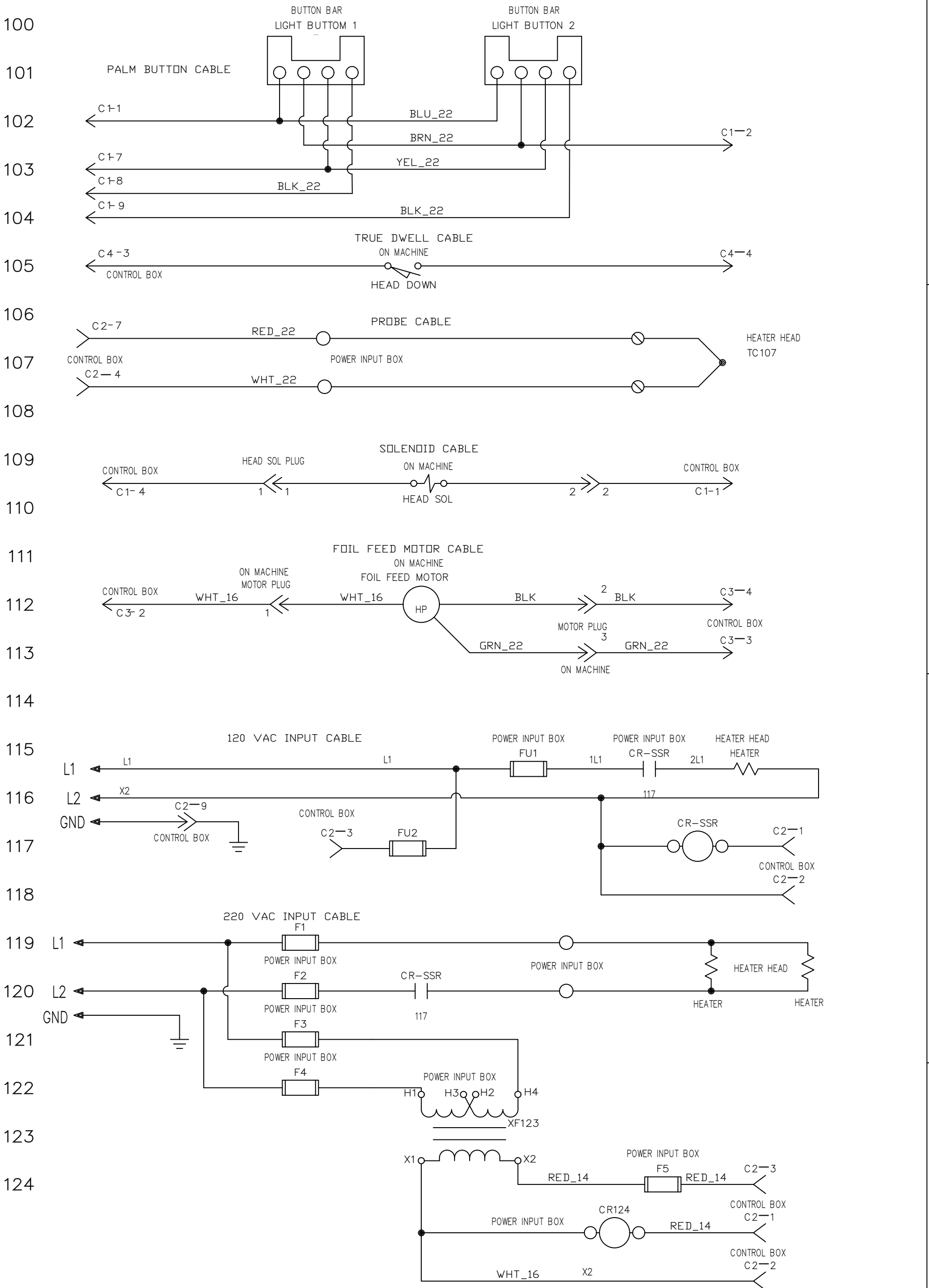
TITLE  
 AFM Engineering  
 Power Input  
 Thompson Box Conversion to Idec

DRAWING NO. 100-1 SHEET 1 OF 5

DESIGNED BY  
 DRAWN BY  
 CHECKED BY  
 APPROVED BY

A B C D

REV	DATE	CHANGE	TR NO.	REV BY.



S:\AFMMachines\19000 Hot Stamp Control Box\Thompson Hotstamp\Thompson\_to Idec\_Conversion\100-2.dwg

**AFM ENGINEERING, INC.**  
 1313 E. Borchard Ave  
 Santa Ana, CA 92705

TITLE  
 AFM Engineering  
 Cabling  
 Thompson Box Conversion to Idec  
 DRAWING NO. 100-2 SHEET 2 OF 5

DESIGNED BY  
 DRAWN BY  
 CHECKED BY  
 APPROVED BY

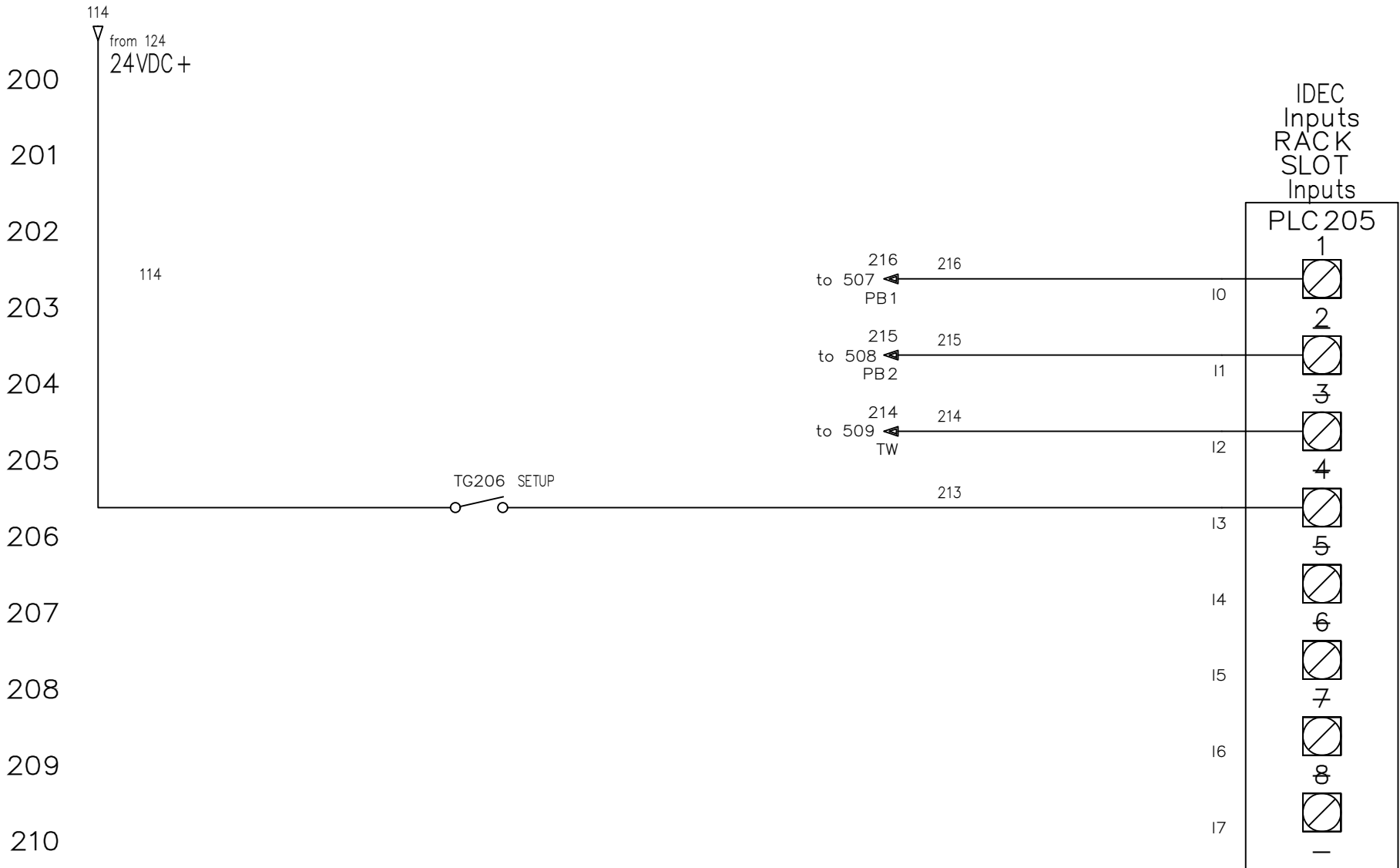
A

B

C

D

REV	DATE	CHANGE	TR NO.	REV BY.



S:\AFMMachines\19000 Hot Stamp Control Box\Thompson Hotstamp\Thompson\_to Idec\_Conversion\200-1.dwg

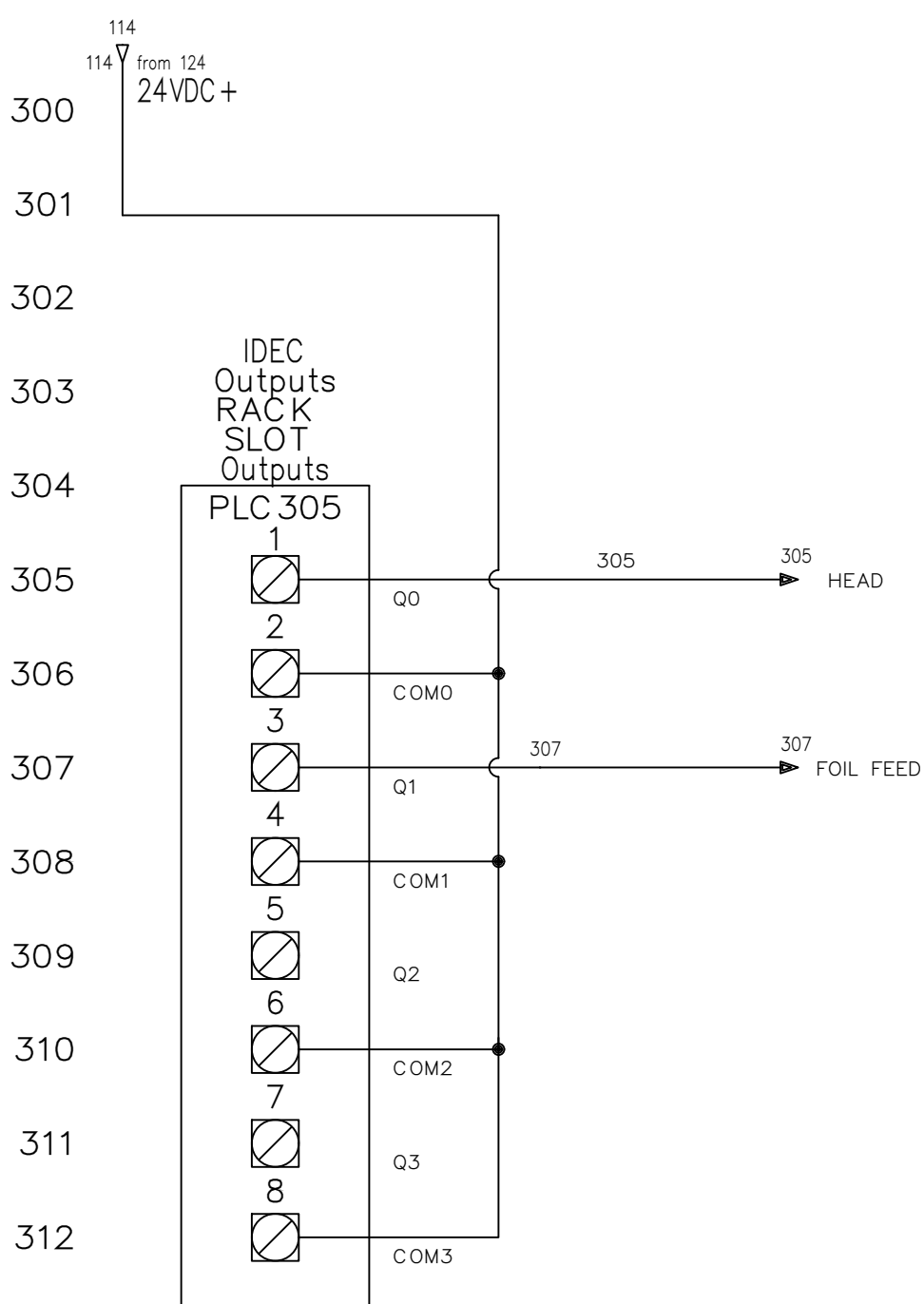


TITLE AFM Engineering  
PLC Inputs  
Thompson Box Conversion to Idec

DRAWING NO. 200-1 SHEET 3 OF 5

DESIGNED BY  
DRAWN BY  
CHECKED BY  
APPROVED BY

REV	DATE	CHANGE	TR NO.	REV BY.



S:\AFMMachines\19000 Hot Stamp Control Box\Thompson Hotstamp\Thompson\_to Idec\_Conversion\300-1.dwg



TITLE  
AFM Engineering  
PLC Outputs  
Thompson Box Conversion to Idec

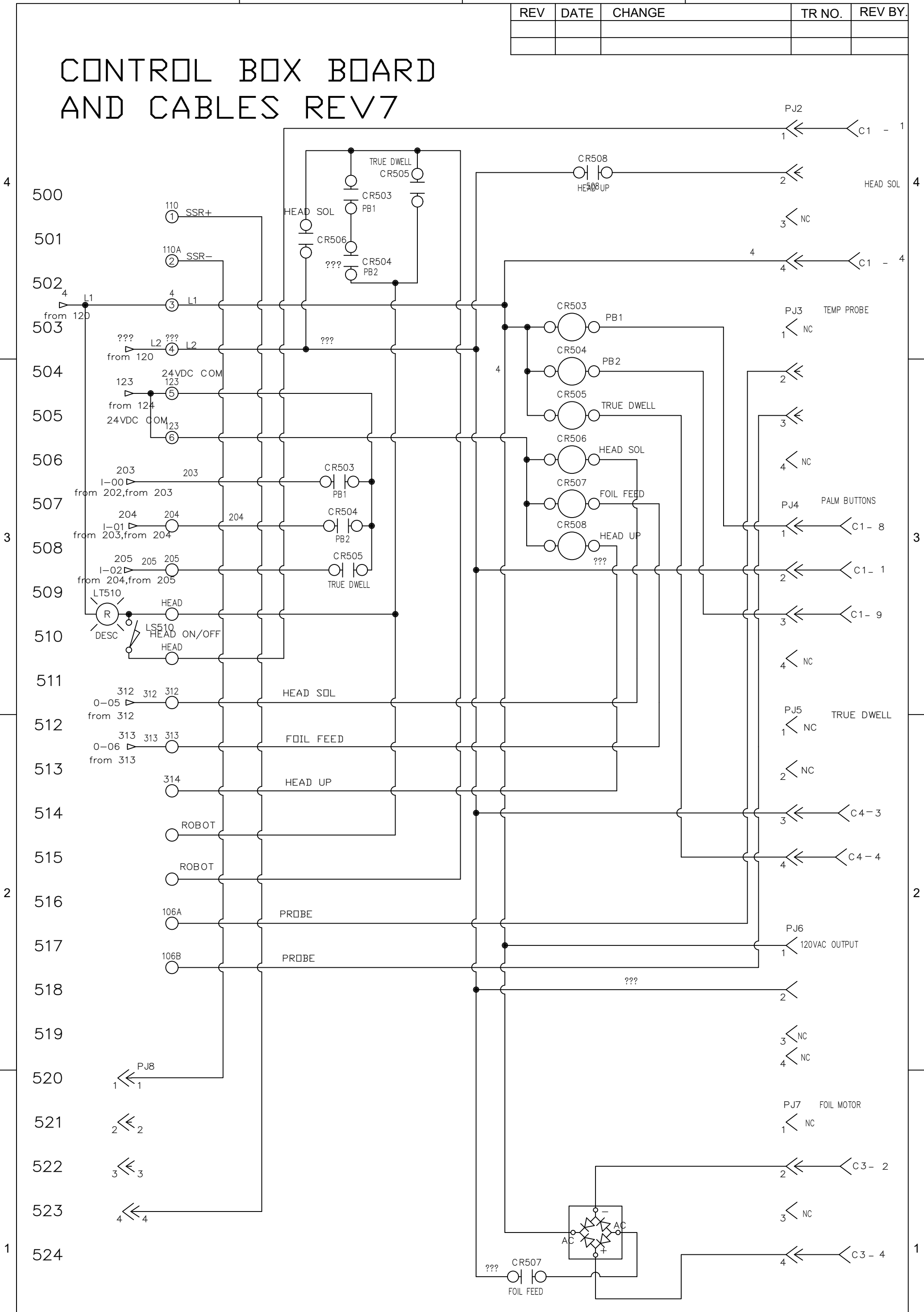
DRAWING NO. 300-1

SHEET 4 OF 5

DESIGNED BY  
DRAWN BY  
CHECKED BY  
APPROVED BY

REV	DATE	CHANGE	TR NO.	REV BY.

# CONTROL BOX BOARD AND CABLES REV7



S:\AFMMACHINES\19000 HDT STAMP CONTROL BOX\19080\_ALLEN-BRADLEY\19080\_REVC\19080\_ALLEN BRADLEY REVC\19080-500-1.DWG



TITLE AFM ENGINEERING, INC.  
19080 ALLEN BRADLEY REVC

DRAWING NO. 19080-500-1.DWG SHEET 5 OF 5

DESIGNED BY CSI	12-12-2017
DRAWN BY CSI	12-12-2017
CHECKED BY CSI	12-12-2017
APPROVED BY CSI	12-12-2017