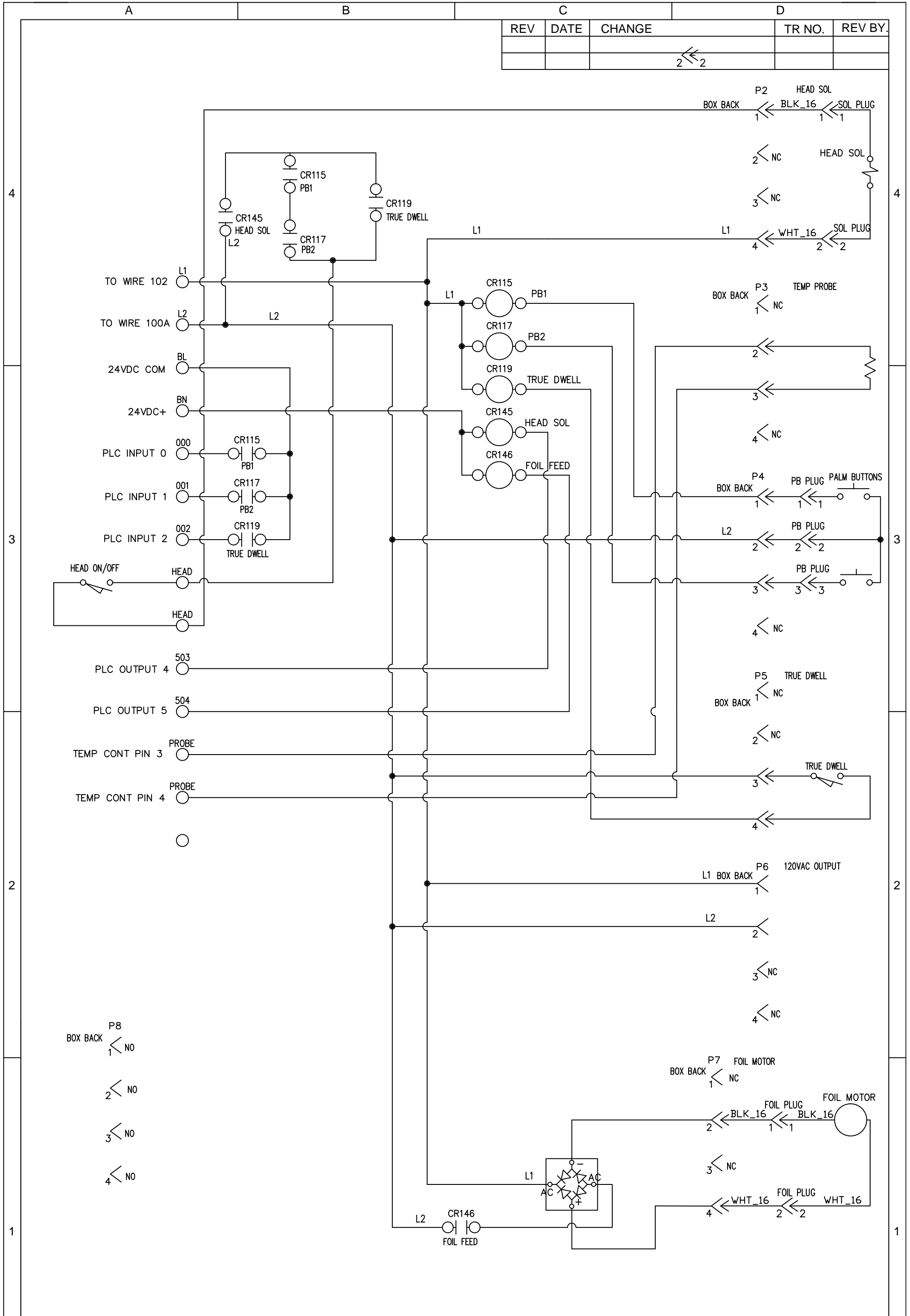


REV	DATE	CHANGE	TR NO.	REV BY.
		2 ← 2		



APM ENGINEERING, INC.
 1313 E. Borchard Ave
 Santa Ana, CA 92705

TITLE
**OMRON PLC BOX
 PC BOARD WIRED FOR OMRON PLC**

DRAWING NO. PCB_REV3 SHEET 1 OF 1

DESIGNED BY	IRWIN	12/20/2014
DRAWN BY	IRWIN	12/20/2014
CHECKED BY	C.S.I.	12/20/2014
APPROVED BY	APPROVED_BY	DATE