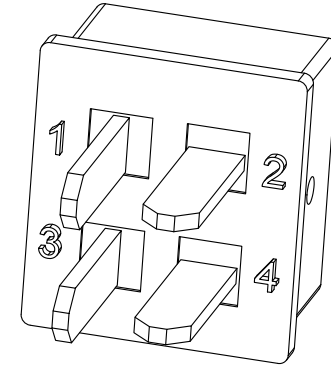
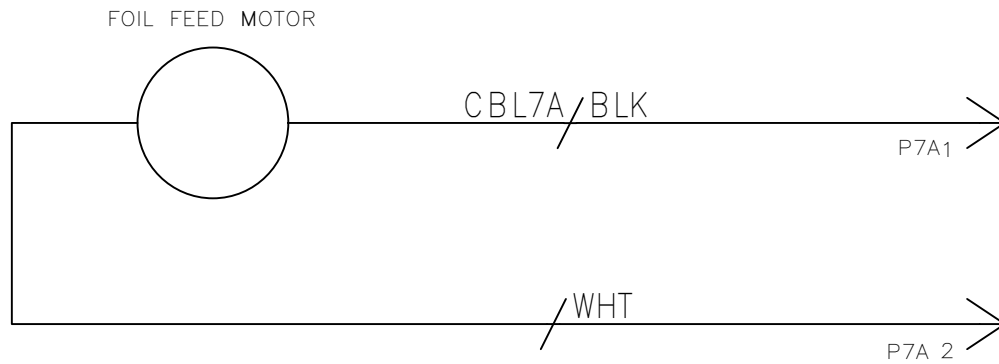



Foil Feed, Motor, 130VDC, RPM 42, PN 100031
 Foil Feed, Motor, 130VDC, RPM 83, PN 102496
 Foil Feed, Motor, 130VDC, RPM 139, PN 102943

Plug, 4pin, Male, Square
 AFM Part# 100033



S:\AFMMachines\19000 Hot Stamp Control Box\19002_Control_Box_Cables\19002-007-Control_Box_Cables_A.dwg

 1313 E. Borchard Ave Santa Ana, CA 92705	TITLE AFM Engineering, Inc FOIL FEED MOTOR CABLE Control Cables	DESIGNED BY C.S.I.
		DRAWN BY
	DRAWING NO. 19002-007-Control_Box_Cables_A SHEET 11 OF 24	CHECKED BY C.S.I.
		APPROVED BY C.S.I.