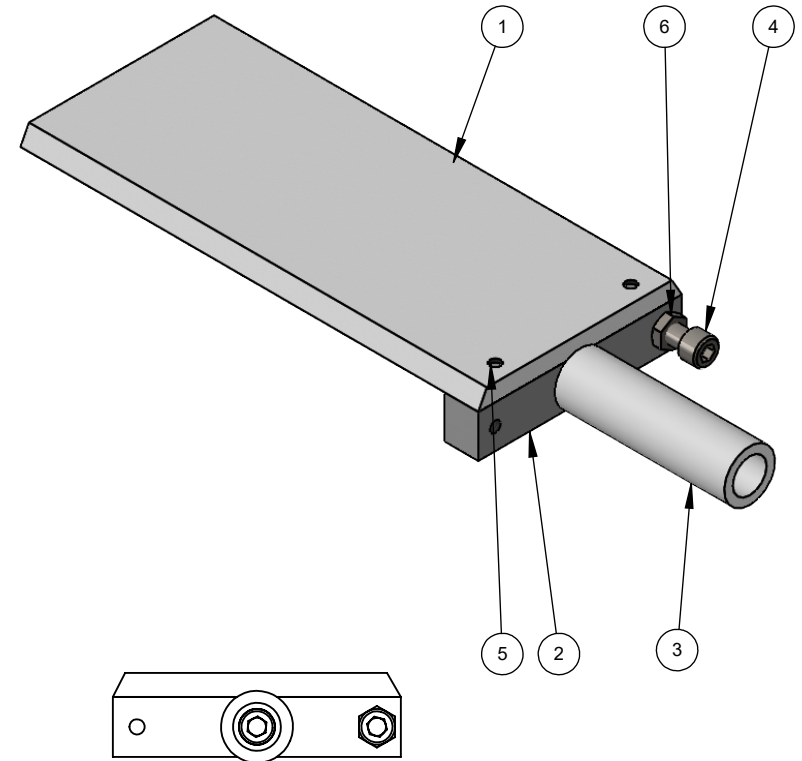
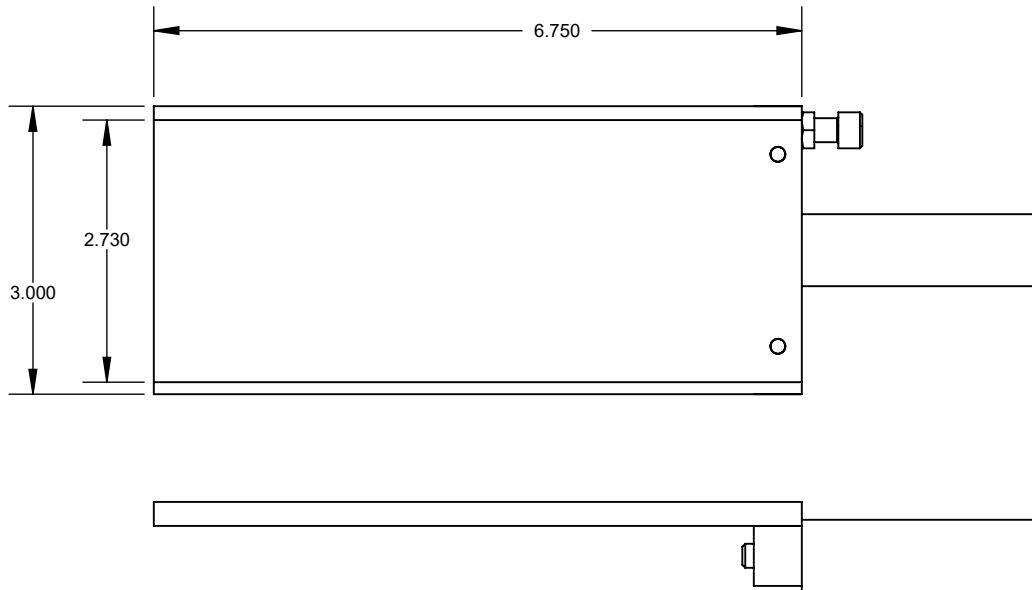


S:\AFMMACHINES\59000 DOVETAILS\59100 FRANKLIN\59120 3X6\

ITEM NO.	PART NUMBER	PartNo	DESCRIPTION	QTY.
1	59120-001	104595	3"X6"	1
2	59120-002	104596	3"X6"	1
3	59100-001 Handle	104594	2"X4" 3"X6"	1
4	HX-SHCS 0.25-20x1x1-N			2
5	HX-SHCS 0.19-32x0.625x0.625-N			2
6	MSHXNUT 0.190-32-S-N			1



**PROPRIETARY AND CONFIDENTIAL**

THE INFORMATION CONTAINED IN THIS DRAWING IS THE SOLE PROPERTY OF AFM ENGINEERING, INC. ANY REPRODUCTION IN PART OR AS A WHOLE WITHOUT THE WRITTEN PERMISSION OF AFM ENGINEERING INC. IS PROHIBITED.

		DIMENSIONS ARE IN INCHES TOLERANCES: FRACTIONAL $\pm .032$ ANGULAR: MACH $\pm$ BEND $\pm$ TWO PLACE DECIMAL $\pm .010$ THREE PLACE DECIMAL $\pm .005$	NAME	DATE	
			DRAWN	Irwin	-
			CHECKED	Irwin	-
			ENG APPR.		
			MFG APPR.		
			Q.A.		
			COMMENTS:		
NEXT ASSY	USED ON	FINISH			
APPLICATION	DO NOT SCALE DRAWING				

AFM Engineering, Inc.

Franklin/Kensol-Franklin  
 DOVETAILS  
 Dovetail 3 X 6  
 AFM Part #103118

SIZE	DWG. NO.	REV.
A	59120-000	
SCALE: 1:4	WEIGHT: 0.295	SHEET 1 OF 1