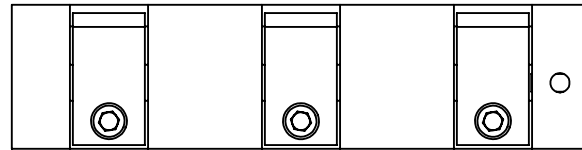
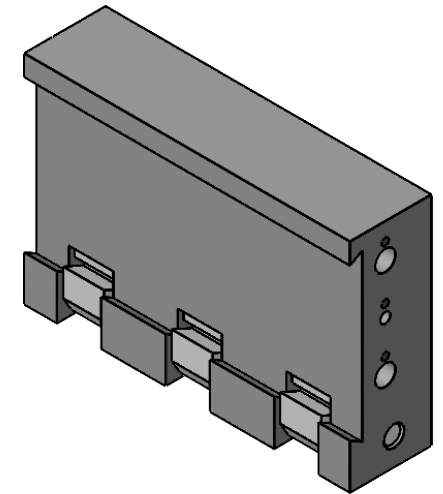
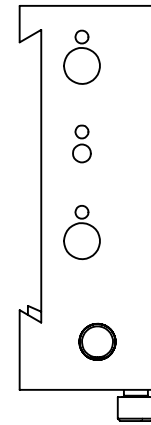
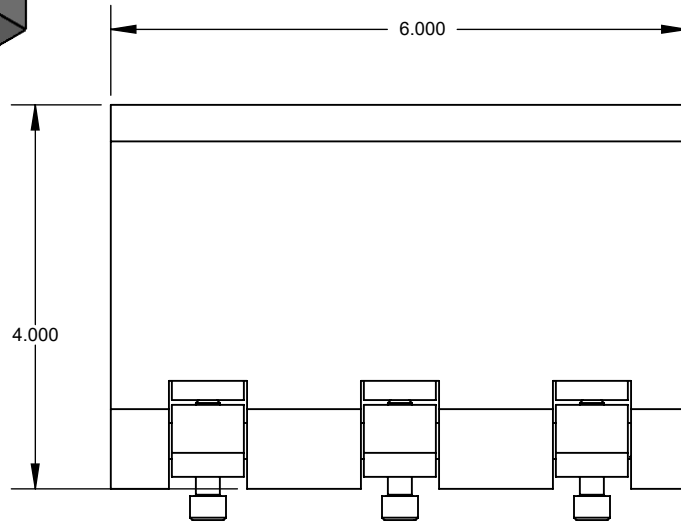
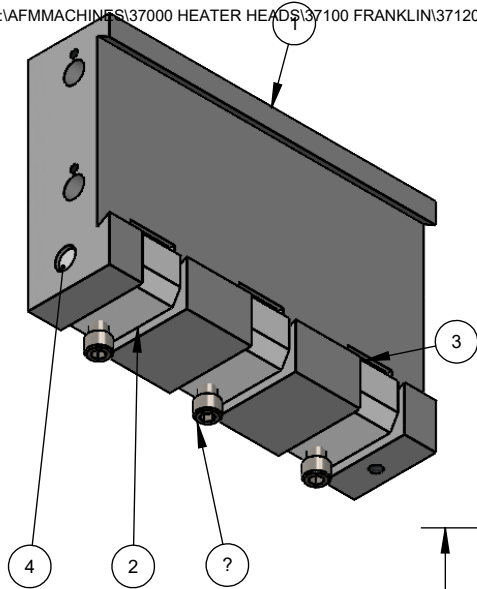


S:\AFMMACHINES\37000 HEATER HEADS\37100 FRANKLIN\37120 3X6\

ITEM NO.	PART NUMBER	PartNo	DESCRIPTION	QTY.
1	37120-001	104590	Heater Block 3" X 6"	1
2	37110-002	104560	Clamp	3
3	37110-003	104561	Clamp Plate	3
4	37120-002	104591	Calmp Pin 3"X6"	1
5	HX-SHCS 0.25-20x1x1-N			3



PROPRIETARY AND CONFIDENTIAL

THE INFORMATION CONTAINED IN THIS DRAWING IS THE SOLE PROPERTY OF AFM ENGINEERING, INC. ANY REPRODUCTION IN PART OR AS A WHOLE WITHOUT THE WRITTEN PERMISSION OF AFM ENGINEERING INC. IS PROHIBITED.

		DIMENSIONS ARE IN INCHES TOLERANCES: FRACTIONAL $\pm .032$ ANGULAR: MACH \pm BEND \pm TWO PLACE DECIMAL $\pm .010$ THREE PLACE DECIMAL $\pm .005$		NAME	DATE
		MATERIAL		DRAWN	Irwin
		FINISH		CHECKED	Irwin
NEXT ASSY		USED ON		ENG APPR.	
APPLICATION		DO NOT SCALE DRAWING		MFG APPR.	
				Q.A.	
				COMMENTS:	

AFM Engineering, Inc.

Franklin
HEATER HEADS
Heater Head 3 X 6
AFM Part #103125

SIZE	DWG. NO.	REV.
A	37120-000	
SCALE:1:2	WEIGHT: 2.671	SHEET 1 OF 1