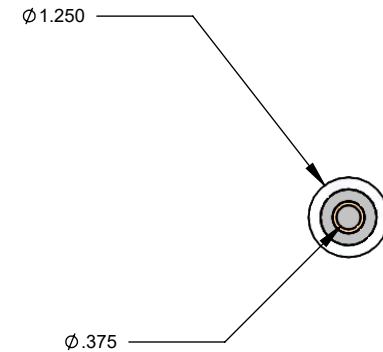
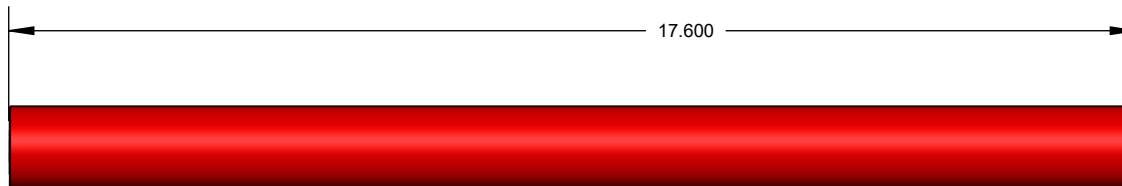
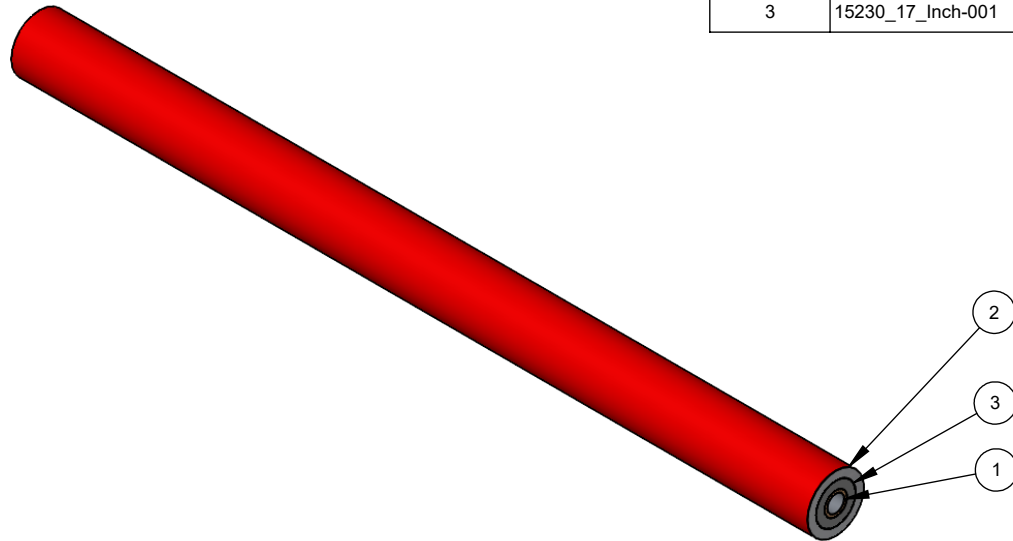


S:\AFMMachines\15000 Foil Feed Systems\15300 Rollers\15320 Rubber Franklin\15230 17 inch\

| ITEM NO. | PART NUMBER | PartNo | DESCRIPTION | QTY. |
|----------|---------------------|--------|-----------------------|------|
| 1 | .5 OD.5 Long.375 ID | | Brass Bushing | 2 |
| 2 | 15230_17_Inch-002 | 105133 | Rubber 17 Inch Rubber | 1 |
| 3 | 15230_17_Inch-001 | 105314 | Core, 17 inch | 1 |



PROPRIETARY AND CONFIDENTIAL

THE INFORMATION CONTAINED IN THIS DRAWING IS THE SOLE PROPERTY OF AFM ENGINEERING, INC. ANY REPRODUCTION IN PART OR AS A WHOLE WITHOUT THE WRITTEN PERMISSION OF AFM ENGINEERING INC. IS PROHIBITED.

| | | | | | |
|-------------|---------|--|----------------------|-------|-----------|
| | | DIMENSIONS ARE IN INCHES TOLERANCES: FRACTIONAL $\pm .032$ ANGULAR: MACH \pm BEND \pm TWO PLACE DECIMAL $\pm .010$ THREE PLACE DECIMAL $\pm .005$ | NAME | DATE | |
| | | | DRAWN | Irwin | 1/20/2010 |
| | | | CHECKED | Irwin | 1/20/2010 |
| | | | ENG APPR. | | |
| | | | MFG APPR. | | |
| | | | Q.A. | | |
| | | COMMENTS: | | | |
| NEXT ASSY | USED ON | | | | |
| APPLICATION | | | DO NOT SCALE DRAWING | | |

AFM Engineering, Inc.

Franklin
 Part # 102786
 Roller, Rubber, 17 Inch
 AFM Part #104430

| | | |
|-----------|-------------------|--------------|
| SIZE | DWG. NO. | REV. |
| A | 15230_17_Inch-000 | |
| SCALE:1:1 | WEIGHT: 1.410 | SHEET 1 OF 1 |