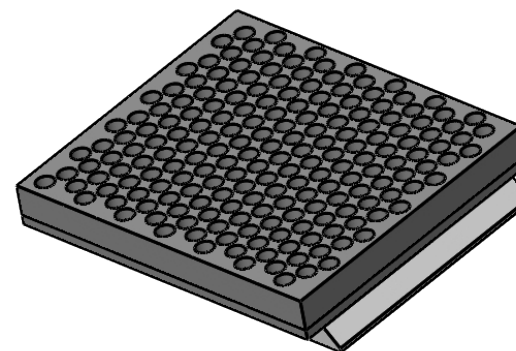
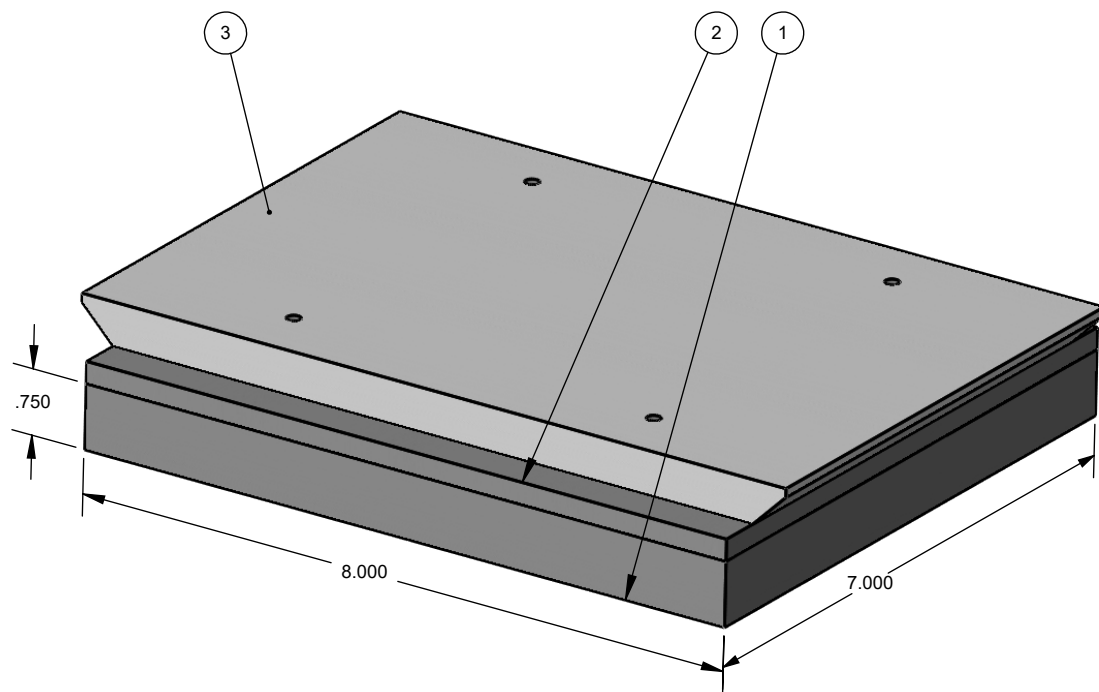


ITEM NO.	PART NUMBER	DESCRIPTION	QTY.
1	59137-001	-	1
2	59137-002	-	1
3	59137-003	6X8 Dovetail DISCMAINA	1



PROPRIETARY AND CONFIDENTIAL

THE INFORMATION CONTAINED IN THIS DRAWING IS THE SOLE PROPERTY OF AFM ENGINEERING, INC. ANY REPRODUCTION IN PART OR AS A WHOLE WITHOUT THE WRITTEN PERMISSION OF AFM ENGINEERING INC. IS PROHIBITED.

		DIMENSIONS ARE IN INCHES		NAME	DATE	
		TOLERANCES:		DRAWN	Irwin	3/10/2020
		FRACTIONAL $\pm .032$		CHECKED	Irwin	3/10/2020
		ANGULAR: MACH \pm BEND \pm		ENG APPR.		
		TWO PLACE DECIMAL $\pm .010$		MFG APPR.		
		THREE PLACE DECIMAL $\pm .005$		Q.A.		
		MATERIAL		COMMENTS:		
NEXT ASSY	USED ON	FINISH				
APPLICATION		DO NOT SCALE DRAWING				

AFM Engineering, Inc.		
FRANKLIN KENSOL/FRANKLIN		
DOVETAIL 6X8 HONEYCOMB		
AFM Part #104437		
SIZE	DWG. NO.	REV.
A	59137-000	
SCALE:1:2		WEIGHT: 5.830
SHEET 1 OF 1		