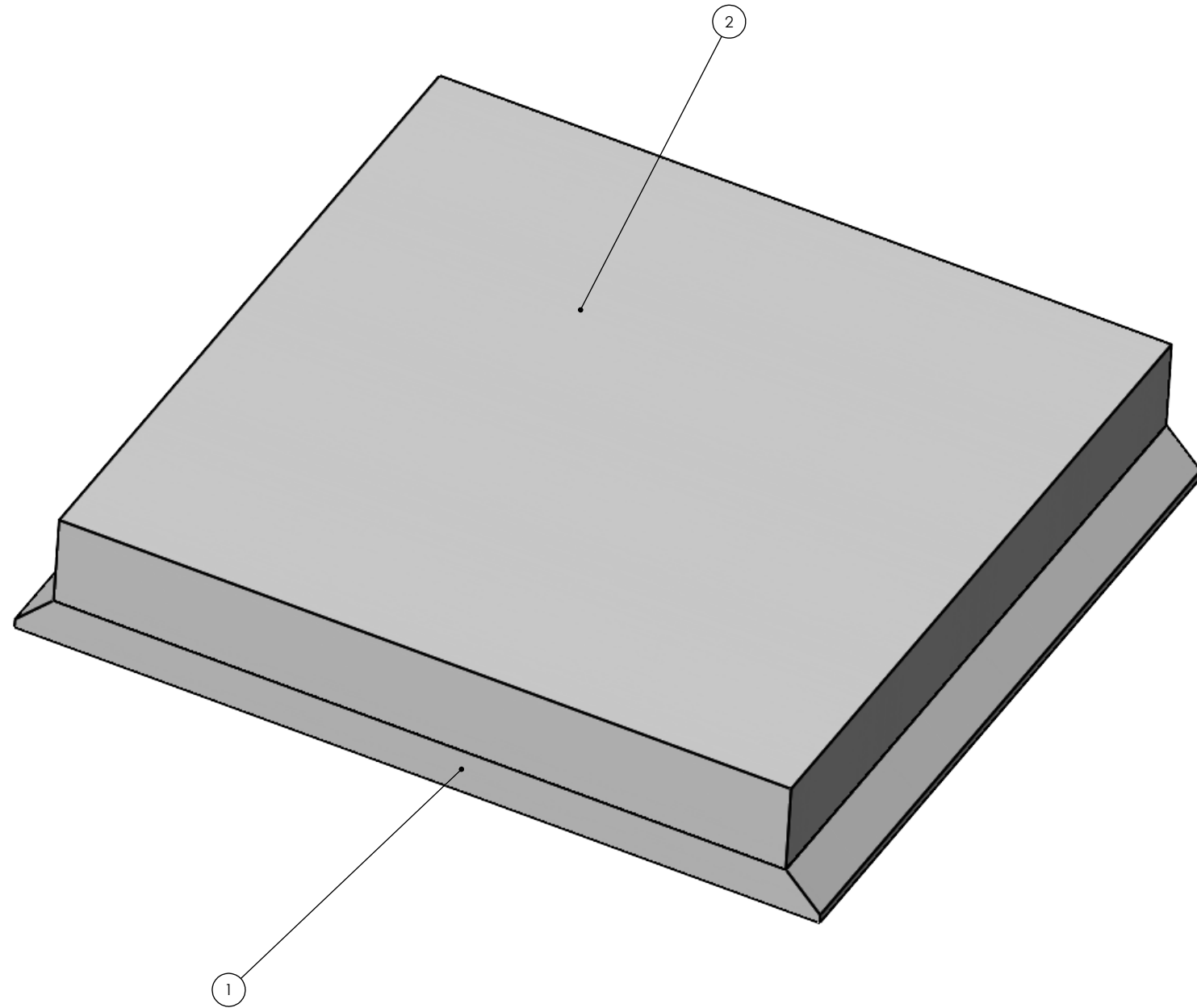


S:\AFMMachines\86000_Disc_Fixtures\86100_Die_Mounting\86190_8X8_Die_Holder_Front_Side\

ITEM NO.	PART NUMBER	Partno	DESCRIPTION	QTY.
1	002_86190_8X8_Dovetail	104949	Dovetail 8 X 8	1
2	003_86190_8X8_Die_Holder_No_Holes	103615	7X8 Hot Plate Chase Drilled Template	1



PROPRIETARY AND CONFIDENTIAL
 THE INFORMATION CONTAINED IN THIS DRAWING IS THE SOLE PROPERTY OF AFM ENGINEERING, INC. ANY REPRODUCTION IN PART OR AS A WHOLE WITHOUT THE WRITTEN PERMISSION OF AFM ENGINEERING INC. IS PROHIBITED.

		DIMENSIONS ARE IN INCHES		NAME		DATE		AFM Engineering, Inc.	
		TOLERANCES:		DRAWN		7/30/2023		AFM Engineering, Inc. Gold Disc Die Mounting 8"X8" Divetail wiht 8"X8" Die Block AFM PART # 105183	
		FRACTIONAL ±		CHECKED		7/30/2023			
		ANGULAR: MACH ± BEND ±		ENG APPR.					
		TWO PLACE DECIMAL ± .010		MFG APPR.					
		THREE PLACE DECIMAL ± .005		Q.A.					
		MATERIAL		COMMENTS:					
NEXT ASSY	USED ON	FINISH							
APPLICATION		DO NOT SCALE DRAWING							
SIZE	DWG. NO.		REV.						
B	000_86190_Dovetail_with_Hot_Plate								
SCALE: 1:2		WEIGHT: 9.545		SHEET 1 OF 1					