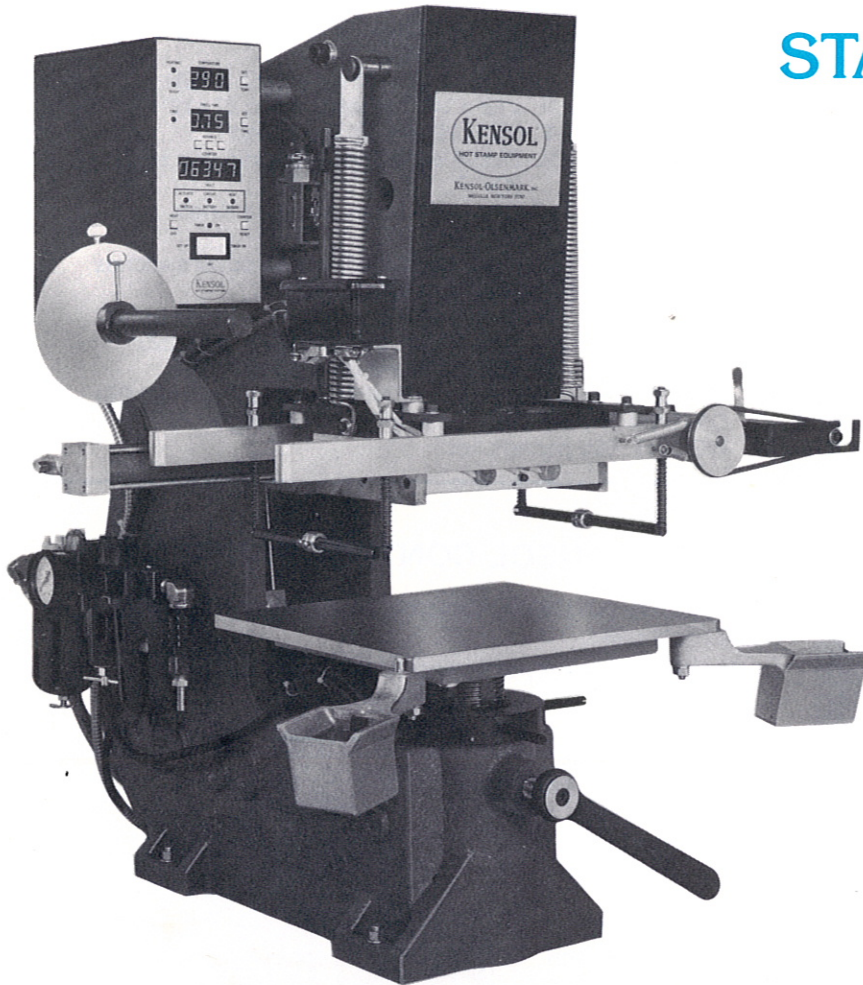


Kensol 46

5 TON AIR-OPERATED ROLL LEAF STAMPING PRESS



FEATURING:

- Cast iron, dimensionally stable, "C" frame construction
- Double toggle head drive automatically compensates for thickness variations
- 4" wide rectangular head ram and 3" diameter table ram for additional rigidity
- 3" head stroke for ease of feeding
- Accepts items up to 4" high
- Pure dwell. Solid state timer does not start timing until head contacts items being decorated
- Microprocessor based, digital control panel, (see reverse side)
- Setup switch on control panel
- Hand lever included to bring head down manually for setup, if desired
- 2 hand switches with simultaneous no tie down feature and head shut safety system for operator protection
- Air filter, pressure regulator and automatic lubricator included
- Multiple feed roll leaf attachments available
- Both head and roll leaf attachment have adjustable speed valves
- Delay valve on roll leaf feed aids stripping action

KENSOL-OLSENMARK INC.

40 MELVILLE PARK ROAD, MELVILLE, N.Y. 11747
PHONE: (516) 694-7773 • TWX 510-224-6418

WE ALSO MANUFACTURE FOILMARK ROLL LEAF

The completely new Kensol 46, 5 ton stamping press was designed to replace the popular Kensol 36T which was, for many years, the standard of the stamping industry.

The head and table rams were completely redesigned for greater rigidity and ease of lubrication.

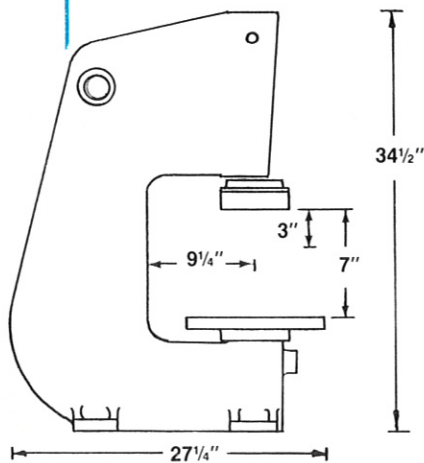
The Kensol 46 incorporates many new state of the art features such as, a direct readout digital electronic proportioning heat system and digital electronic pure dwell control.

It is an ideal general purpose stamper in the medium pressure range.

Kensol 46

5 TON AIR-OPERATED
ROLL LEAF STAMPING PRESS

SPECIFICATIONS



**TURNTABLES, AIR-SLIDING TABLES AND
OTHER FEEDING DEVICES AVAILABLE**

Impression Area

5x6 Inches
6x8 Inches
6x12 Inches
10x15 Inches

Heating System

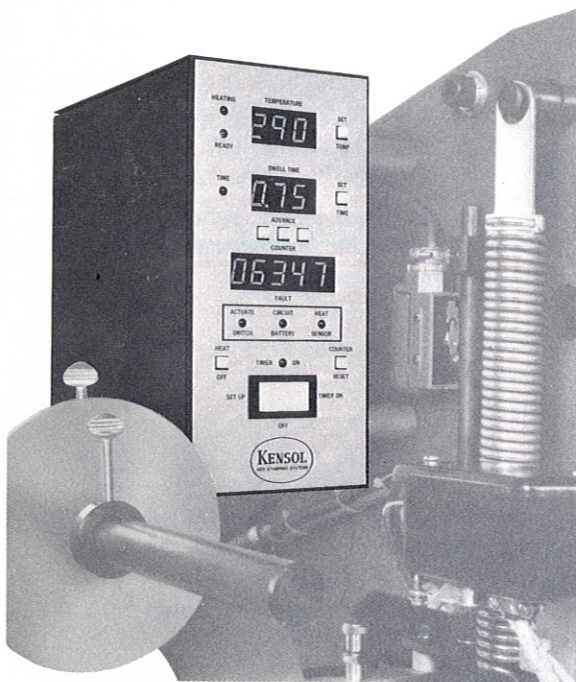
800 Watts
1,000 Watts
1,500 Watts
2,400 Watts

HEAD STROKE: 3 Inches
DEPTH OF THROAT: 9 1/4 Inches
MAXIMUM OPENING: 7 Inches
WILL HOT STAMP ITEMS UP TO 4 INCHES HIGH
WORK TABLE: 1/2" x 12" x 14" on heads up to 6" x 12"
1" x 18" x 18" on 10" x 15" head
HEAT CONTROL: Digital solid state proportioning to 600° F
DWELL TIMER: Digital, solid state with pure dwell feature 0-10 sec.
CONTROLS: Two hand, concurrent, no tie down switches with head shut safety system
ELECTRICAL REQUIREMENTS: 110 Volts A.C. standard on 5" x 6", 6" x 8" and 6" x 12" heads; 220 Volts A.C. standard on 10" x 15" head
AIR COMPRESSOR REQUIREMENTS: 7 1/2 CFM at 80 PSI
DIMENSION: 28" deep x 19" wide x 34 1/2" high
WEIGHT: 690 pounds net

NEW KENSOL CONTROL PANEL

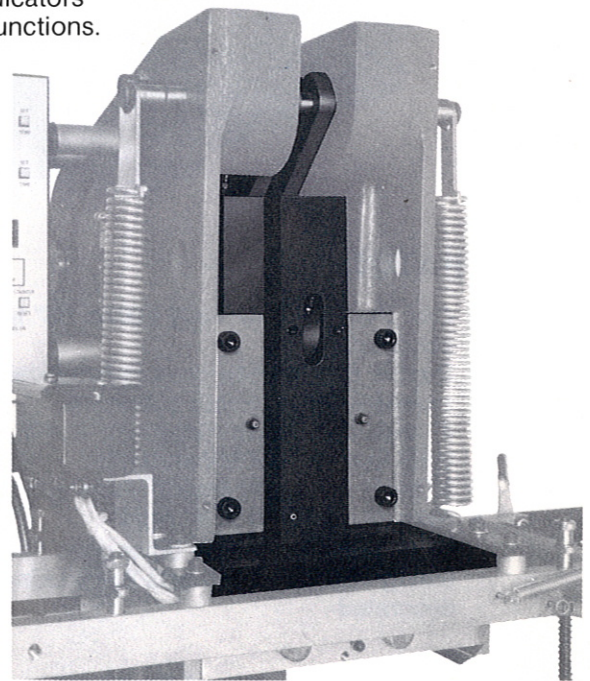
The new Kensol microprocessor based, digital control panel features:

1. Solid state proportioning heat controller.
2. Electronic dwell timer with pure dwell feature.
3. Electronic totalizing counter (5 digit) with reset button.
4. Diagnostic indicators for all panel functions.
5. Plug-in connections for ease of service.
6. Set up switch to keep head in shut position.



HEAD RAM CONSTRUCTION

The head ram cover plate has been removed to show the wide head ram and jib construction which was designed for extra rigidity. The cover has an access slot for ease of lubrication.



KENSOL-OLSENMARK INC.

ESTABLISHED 1920

HOT STAMP MACHINERY—ROLL LEAF—AUTOMATION—TOOLING (FIXTURES, DIES, ROLLERS)